



Application

- Can be used to transfer clean water or other liquids similar to water in physical and chemical properties
- Suitable for industrial use and urban water supply, pressure boosting for high buildings and fire fighting, garden irrigation, long-distance water transfer, heating ventilation and air conditioning, circulation and pressure boosting for cold and hot water, and supporting equipment etc.

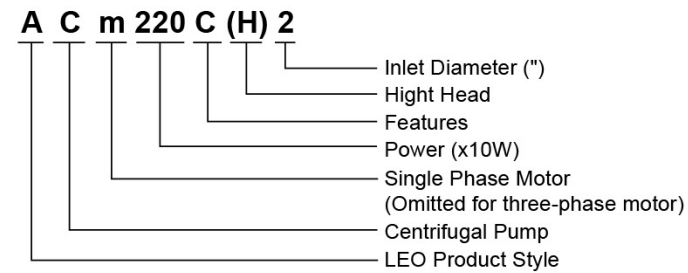
Pump

- Cast iron pump body and support under special anti-rust treatment
- AISI 304 shaft
- Max. liquid temperature: +60°C
- Max. suction: +8 m

Motor

- Low noise&Long life bearing
- Insulation class: F
- Protection class: IPX4
- Max.ambient temperature: +40°C
- IE 2 motor

Identification Codes



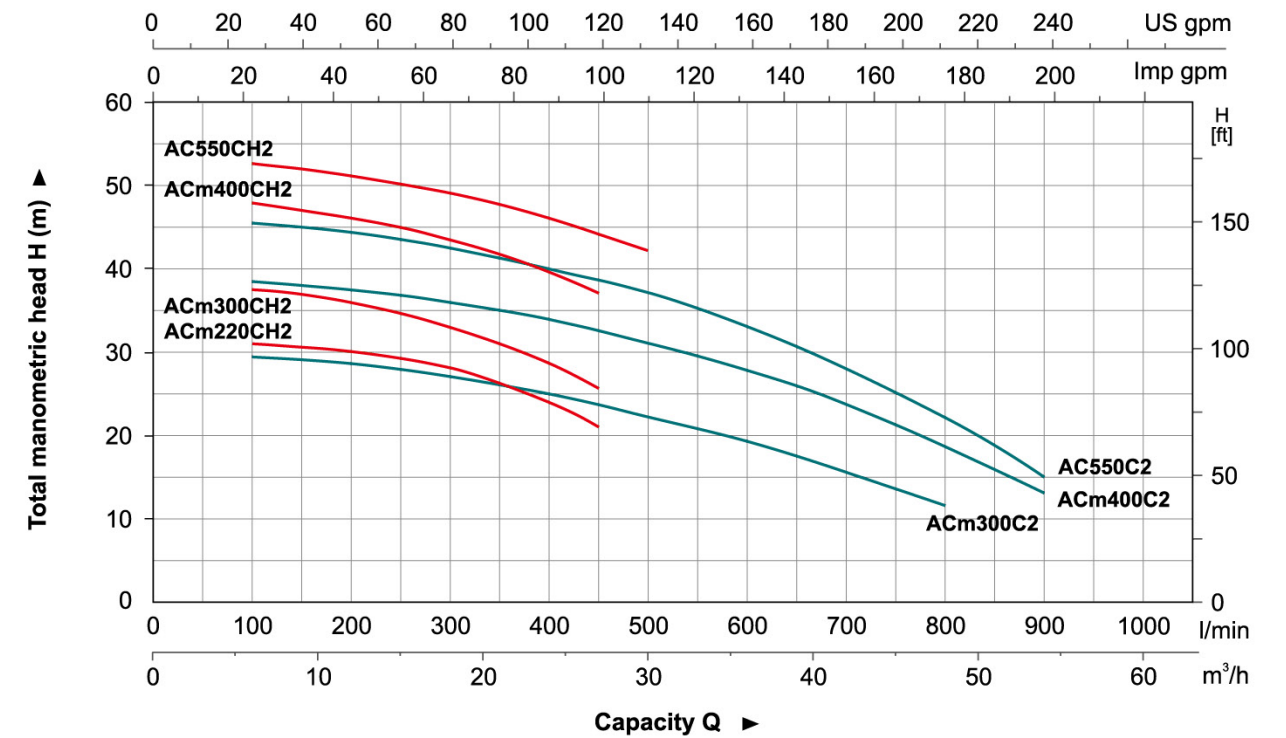
Technical Data

Model		Power		Q(m³/h)		H (m)															
Single Phase	Three Phase	kW	HP	Q(l/min)	0	6	9	12	15	18	24	27	30	36	42	48	54				
					0	100	150	200	250	300	400	450	500	600	700	800	900				
ACm220CH2	AC220CH2	2.2	3		31	30	29.5	28.5	27.5	26	21.5	18.5	-	-	-	-	-				
ACm300CH2	AC300CH2	3	4		38	37.5	37	36	34.5	33	28.5	25.5	-	-	-	-	-				
ACm400CH2	AC400CH2	4	5.5		49	48	47	46	45	43.5	39.5	37	-	-	-	-	-				
-	AC550CH2	5.5	7.5		54	52.5	52	51	50	49	46	44	42	-	-	-	-				
ACm300C2	AC300C2	3	4		30	29.5	29	28.5	28	27	25	23.5	22	19.5	15.5	11.5	-				
ACm200C2	AC200C2	4	5.5		39	38.5	38	37.5	37	36	34	32.5	31	28	24	18.5	13				
-	AC550C2	5.5	7.5		46.5	45.5	45	44.5	43.5	42.5	40	38.5	37	33	28	22	15				

Dimension

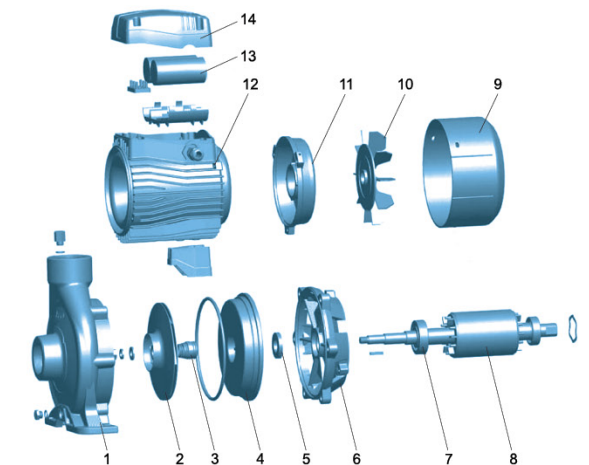
Model	DN1	DN2	L (mm)	W (mm)	H (mm)	L1 (mm)	W1 (mm)	H1 (mm)
AC(m)220CH2	2"	2"	444	255	315	65	186	132
AC(m)300CH2			444	255	315	65	186	132
AC(m)400CH2			496.5	280	326	70	195	136
AC550CH2			496.5	280	326	70	195	136
AC(m)300C2			444	255	315	65	186	132
AC(m)200C2			496.5	280	326	70	195	136
AC550C2			496.5	280	326	70	195	136

Hydraulic Performance Curves



Materials Table

No.	Part	Material	No.	Part	Material
1	Pump body	HT 200	10	Fan	PP
2	Impeller	AISI304/Brass	11	Rear cover	ZL102
3	Mechanical seal	Carbon/Ceramic	12	Stator	
4	Bracket cover	HT200	13	Capacitor	
5	Oil seal		14	Terminal box	PA6-GF25
6	Support	HT200			
7	Bearing				
8	Rotor				
9	Fan cover	PP			



Package Information

Model	GW (Kgs)	L (mm)	W (mm)	H (mm)	Quantity (PCS/20' TEU)
AC(m)220CH2	39	507	304	372	486
AC(m)300CH2	41.8	507	304	372	478
AC(m)400CH2	56.5	562	328	383	345
AC550CH2	57.1	562	328	383	345
AC(m)300C2	41.4	507	304	372	483
AC(m)400C2	57.5	562	328	372	345
AC550C2	55.5	562	328	383	345

