



### Application

- It is applicable to household water supply, equipment support, pipeline pressurization, garden watering, vegetable greenhouse watering, fish farming and poultry raising, industrial and mining, water supply and drainage of enterprises and high-rise buildings, central air conditioner and centralized heating circulation system, etc.

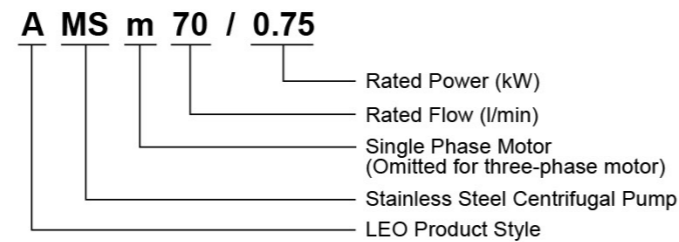
### Pump

- AISI 304 pump body
- AISI 304 shaft
- Max.liquid temperature: +85°C
- Altitude: up to 1000 m ( A motor with more power is required in case the altitude is above 1000 m.)

### Motor

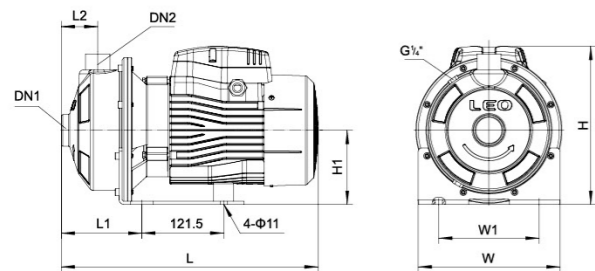
- Low noise&Long life bearing
- Built-in thermal protector for single phase motor
- Insulation class: F
- Protection class: IPX4
- Max. ambient temperature: +40°C

### Identification Codes



### Technical Data

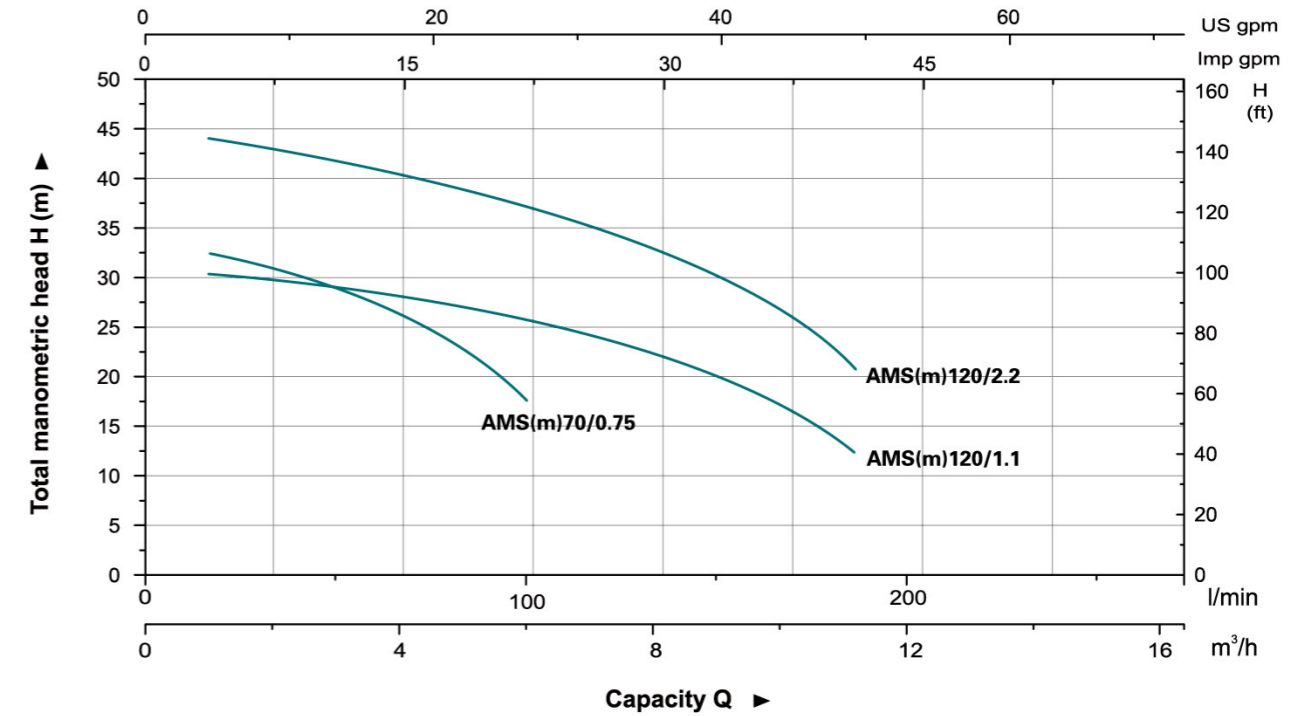
Model		Power		Q(m³/h)																			
Single Phase	Three Phase	kW	HP	0	1.8	2.4	3.6	4.8	6	7.2	8.4	9.6	10.8										
				Q(l/min)	0	30	40	60	80	100	120	140	160	180									
AMSm70/0.75	AMS70/0.75	0.75	1.0	H (m)	32.3	29.7	28.7	26.2	22.8	16.7	-	-	-	-									
AMSm120/1.1	AMS120/1.1	1.1	1.5		32.9	-	-	28.6	27.0	25.2	23.0	21.0	17.8	14.6									
AMSm120/2.2	AMS120/2.2	2.2	3.0		44.9	-	-	41.1	39.2	36.8	33.5	31.6	28.2	20.2									



### Dimension

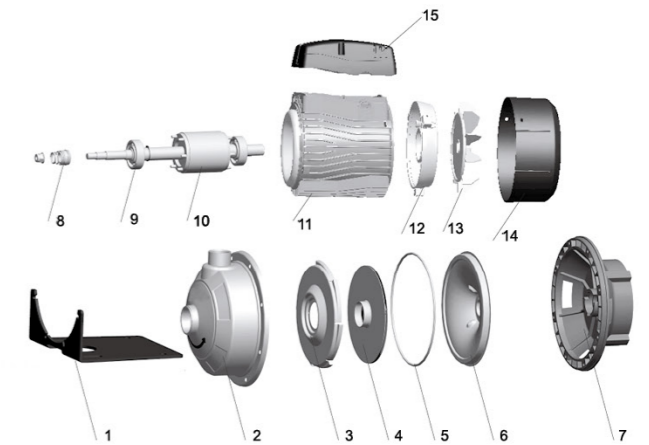
Model	DN1	DN2	L (mm)	W (mm)	H (mm)	L1 (mm)	L2 (mm)	W1 (mm)	H1 (mm)
AMS(m)70/0.75			381	210	234	109	55	149	110
AMS(m)120/1.1	1 1/4"	1"	381	210	234	119	55	149	110
AMS(m)120/2.2			429	210	250	119	55	149	110

### Hydraulic Performance Curves



### Materials Table

No.	Part	Material	No.	Part	Material
1	Bottom support	Steel	11	Stator	
2	Pump body	AISI 304	12	Rear housing	ADC12
3	Diffuser	AISI 304	13	Fan	PP
4	Impeller	AISI 304	14	Fan cover	PP
5	O-ring	NBR	15	Terminal box	ABS
6	Airproof plate	AISI 304			
7	Support	ADC12			
8	Mechanical seal	Carbon/Ceramic			
9	Ball bearing				
10	Rotor				



### Package Information

Model	GW (Kgs)	L (mm)	W (mm)	H (mm)	Quantity (PCS/20' TEU)
AMS(m)70/0.75	13.9	410	240	270	1072
AMS(m)120/1.1	15.4	410	240	270	1072
AMS(m)120/2.2	20.8	465	240	270	864

