



Application

- Can be used to transfer clean or slightly dirty water or other liquids similar to water in physical and chemical properties
- Suitable to be immersed in water for lifting water from the well or the pool, and draining water from the basement

Pump

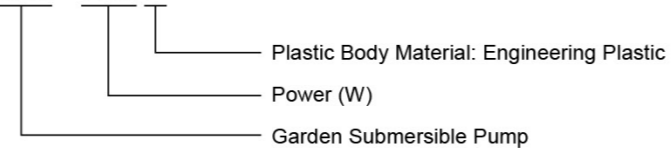
- Engineering plastic pump body
- Float switch ensures automatic cut-in and cut-out
- Max. liquid temperature: +35°C
- Max. immersion depth: 7 m
- Max. diameter of particle: 5 mm

Motor

- Built-in thermal protector
- Insulation class: F
- Protection class: IPX8

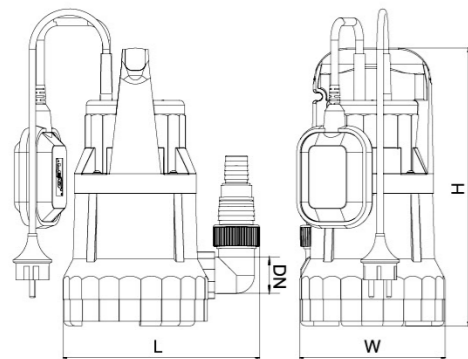
Identification Codes

XKS - 250 P



Technical Data

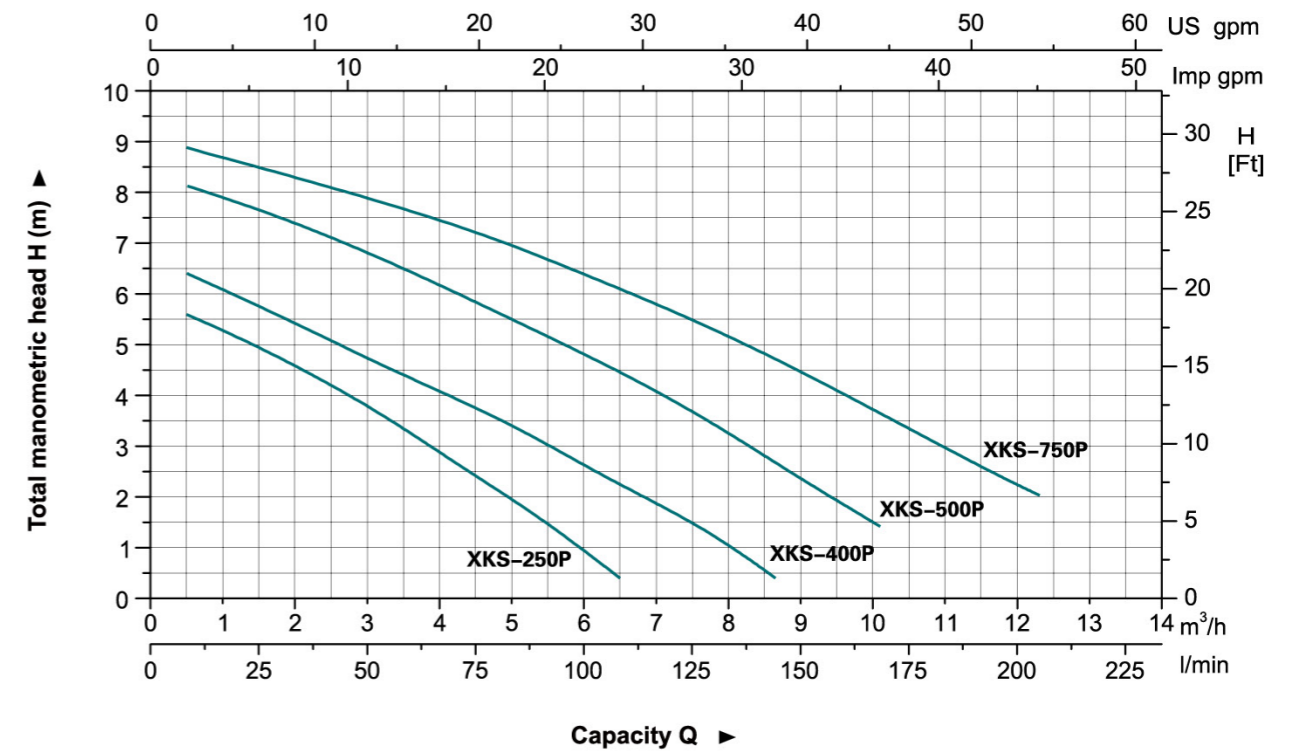
Model	Power		Q(m³/h) Q(l/min)	0	1.5	3	4.5	6	7.5	9	10.5
	W	HP		0	25	50	75	100	125	150	175
XKS-250P	250	0.3	H (m)	5.8	5	3.8	2.4	-	-	-	-
XKS-400P	400	0.5		6.5	5.8	4.7	3.7	2.6	1.5	-	-
XKS-500P	500	0.7		7.6	7.6	6.8	5.7	4.7	3.6	2.3	-
XKS-750P	750	1.0		8.7	8.5	7.7	7.2	6.2	5.5	4.5	3.2



Dimension

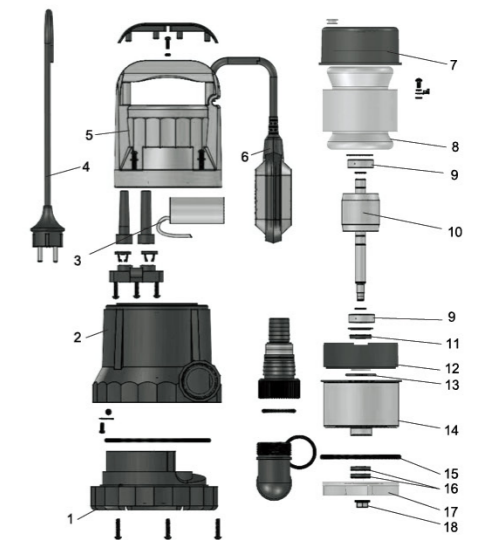
Model	DN	L (mm)	W (mm)	H (mm)
LKS-250P	32	213	158	300.5
LKS-400P		213	158	300.5
LKS-500P		213	158	300.5
LKS-750P	40	213	158	317.5

Hydraulic Performance Curves



Materials Table

No.	Part	Material	No.	Part	Material
1	Pump base	PP	13	O-ring	NBR
2	Pump body	PP	14	Stator shield	Steel
3	Capacitor		15	O-ring	NBR
4	Cable		16	Lip seal	
5	Roof	PP	17	Impeller	PA6
6	Float switch		18	Nut	AISI 304
7	Upper cover				
8	Stator				
9	Bearing				
10	Rotor				
11	Lip seal				
12	Bearing seat	DMC			



Package Information

Model	GW (Kgs)	L (mm)	W (mm)	H (mm)	Quantity (PCS/20' TEU)
LKS-250P	4.8	210	160	340	2064
LKS-400P	5.1	210	160	330	2064
LKS-500P	5.5	210	160	340	2064
LKS-750P	6.0	210	160	340	2064

