



### Application

- Can be used to transfer clean water or other liquids similar to water in physical and chemical properties
- Suitable for industrial use and urban water supply, pressure boosting for high buildings and fire fighting, garden irrigation, long-distance water transfer, heating ventilation and air controlling, circulation and pressure boosting for cold and hot water, and supporting equipment etc.

### Pump

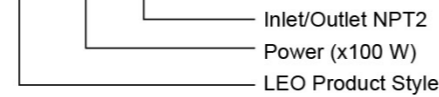
- Cast iron pump body and support under special anti-rust treatment
- AISI 304 shaft
- Max. liquid temperature: +75°C

### Motor

- Low noise&Long life bearing
- Insulation class: F
- Protection class: IP54
- Max. ambient temperature: +40°C

### Identification Codes

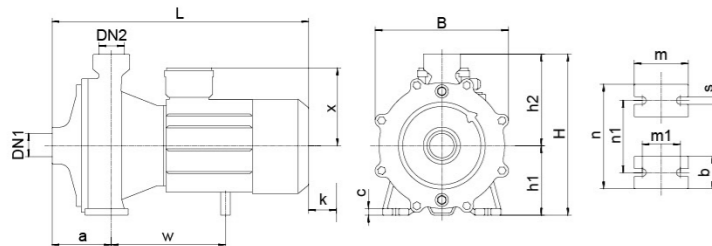
**XTC 55 N2**



### Technical Data

| Model   | Voltage         |  | Power |     | Q(m³/h) |       |      |      |    |      |      |      |
|---------|-----------------|--|-------|-----|---------|-------|------|------|----|------|------|------|
|         | V               |  | kW    | HP  | 0       | 5     | 10   | 15   | 20 | 25   | 28   |      |
| XTC55N2 | 220-230/440-460 |  | 5.5   | 7.5 | H (m)   | 82.9  | 79.5 | 73.5 | 63 | 50.5 | 33.5 | 23   |
| XTC75N2 | 220-230/440-460 |  | 7.5   | 10  |         | 102.5 | 99.5 | 94.5 | 85 | 72   | 55.5 | 44.5 |

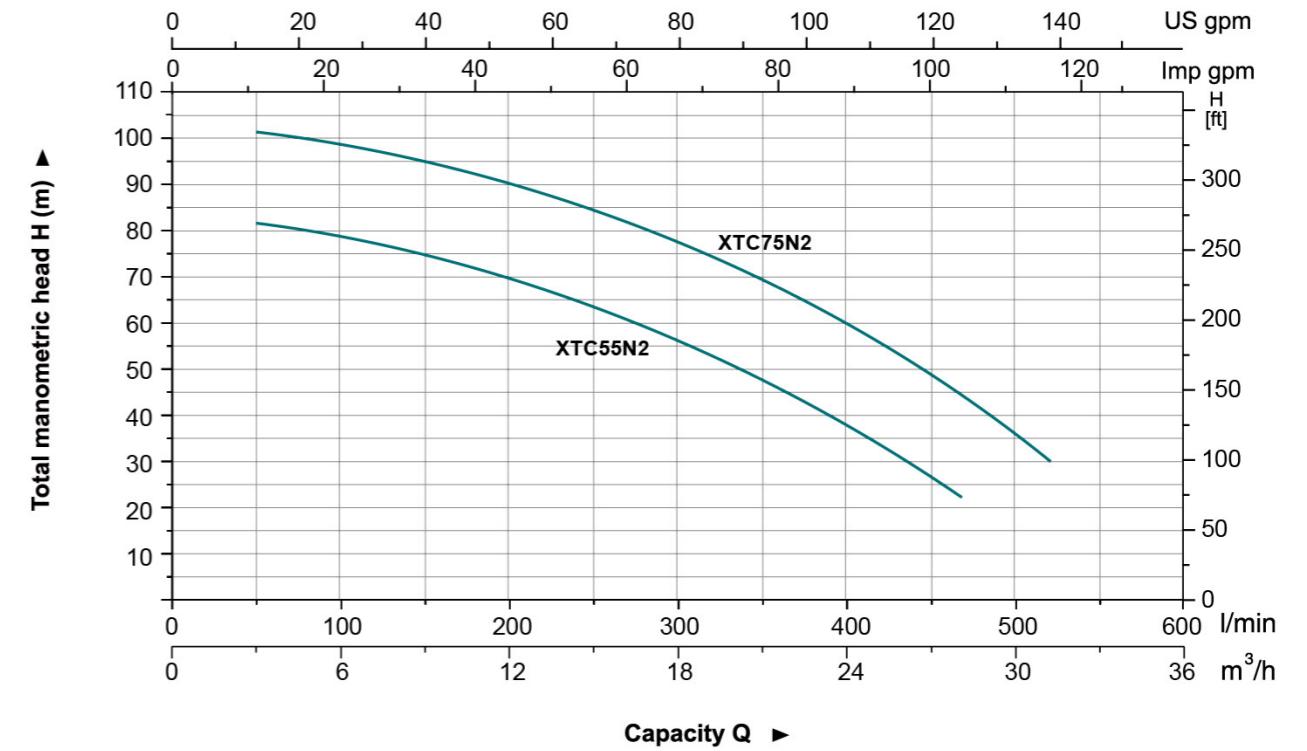
### Dimension



| Model   | DNM  | DNA  | a (mm) | h2 (mm) | w (mm) | x (mm) | b (mm) | c (mm) | k (mm) |
|---------|------|------|--------|---------|--------|--------|--------|--------|--------|
| XTC55N2 | NPT2 | NPT2 | 137    | 210     | 263    | 180    | 60     | 15     | 150    |
| XTC75N2 | NPT2 | NPT2 | 137    | 210     | 263    | 180    | 60     | 15     | 150    |

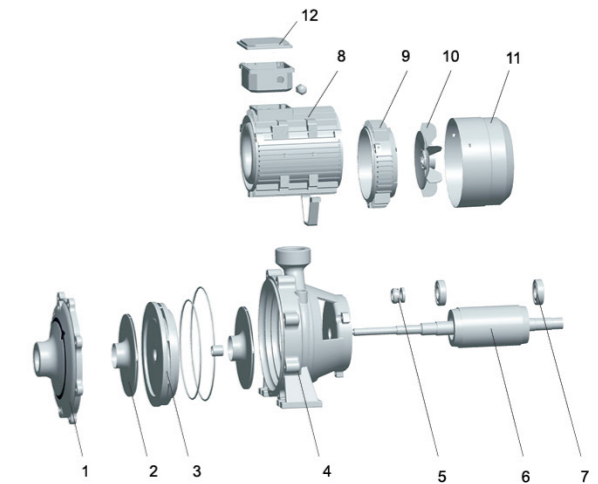
| Model   | h1 (mm) | m (mm) | m1 (mm) | n (mm) | n1 (mm) | s (mm) | B (mm) | H (mm) | L (mm) |
|---------|---------|--------|---------|--------|---------|--------|--------|--------|--------|
| XTC55N2 | 160     | 100    | 70      | 272    | 212     | 14     | 308    | 370    | 570    |
| XTC75N2 | 160     | 100    | 70      | 272    | 212     | 14     | 308    | 370    | 591    |

### Hydraulic Performance Curves



### Materials Table

| No. | Part            | Material       |
|-----|-----------------|----------------|
| 1   | Pump cover      | HT200          |
| 2   | Impeller        | Brass          |
| 3   | Guide vane      | HT200          |
| 4   | Pump body       | HT200          |
| 5   | Mechanical seal | Carbon/Ceramic |
| 6   | Rotor           |                |
| 7   | Bearing         |                |
| 8   | Stator          |                |
| 9   | Rear cover      | HT200          |
| 10  | Fan             | PP             |
| 11  | Fan cover       | 08F            |
| 12  | Terminal box    | ZL102          |



### Package Information

| Model   | GW (Kgs) | L (mm) | W (mm) | H (mm) | Quantity (PCS/20' TEU) |
|---------|----------|--------|--------|--------|------------------------|
| XTC55N2 | 77       | 650    | 370    | 440    | 300                    |
| XTC75N2 | 83       | 650    | 370    | 440    | 300                    |

